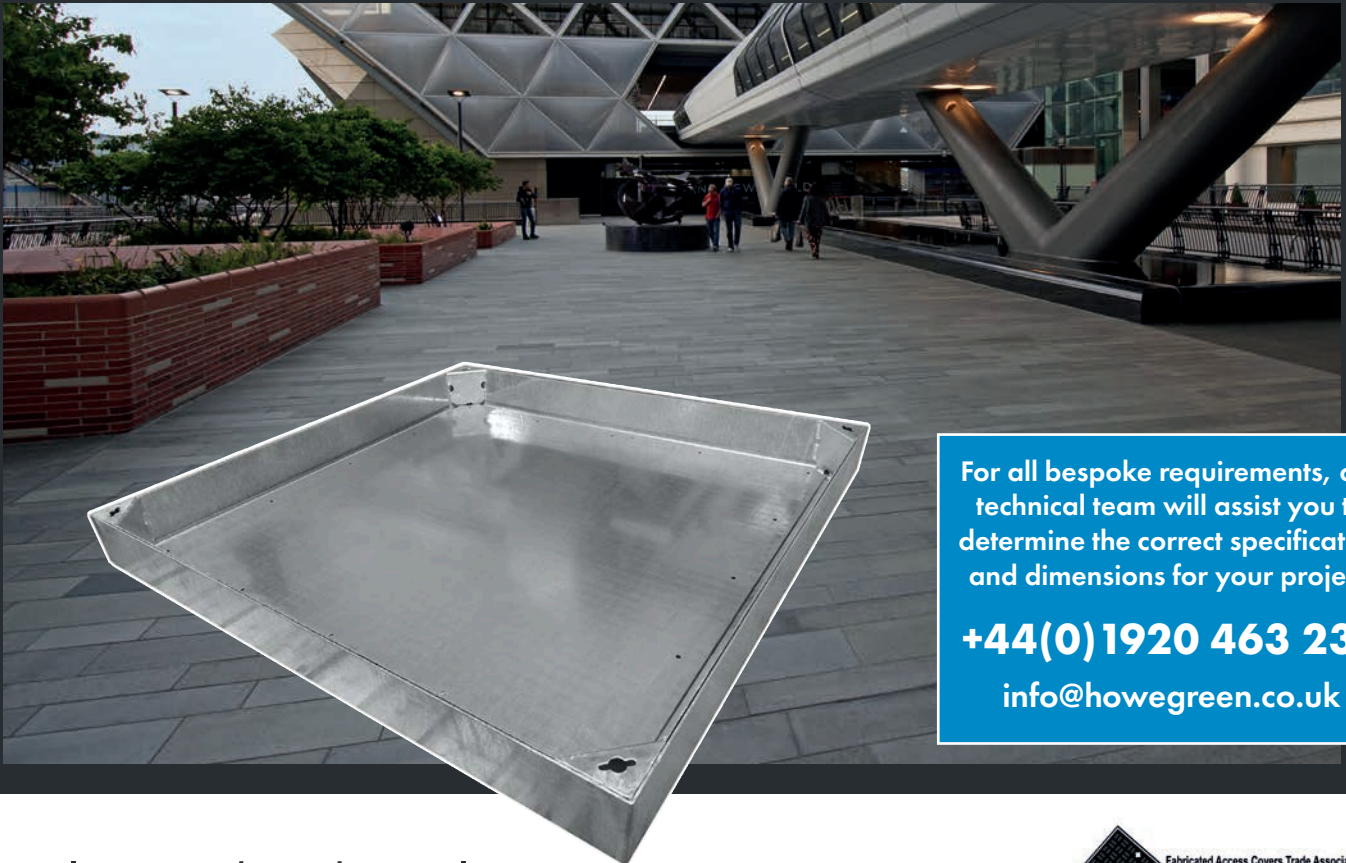


LANDSCAPE 1000 Series FLOOR ACCESS COVERS



For all bespoke requirements, our technical team will assist you to determine the correct specification and dimensions for your project.

+44(0)1920 463 230

info@howegreen.co.uk

Galvanised and stainless steel, value engineered, non-fire rated floor access covers for external hard landscape applications, combining first class performance with attractive affordability.

Howe Greens' LANDSCAPE 1000 Series range of floor access covers provides safe and easy access to external under-floor services. The range is available in galvanised steel or stainless steel options.

Single, galvanised steel, unsecured (not-bolted) access covers are available in standard sizes directly from stock.

Alternatively, single, duct or multipart configurations, bespoke sizes and shapes, with optional secured (bolted down) designs can be made to order in stainless steel or galvanised steel, to meet each project's floor access requirements.

FEATURES

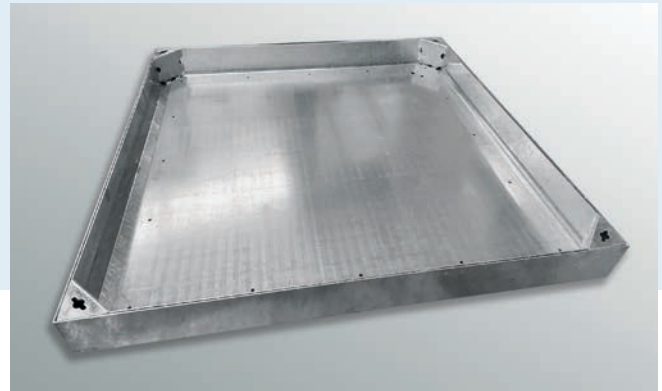
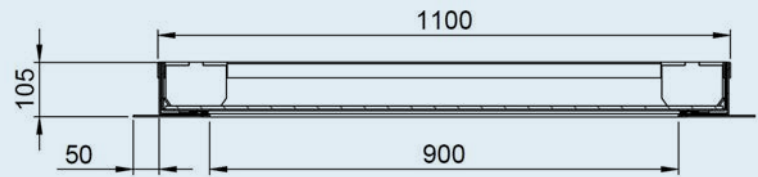
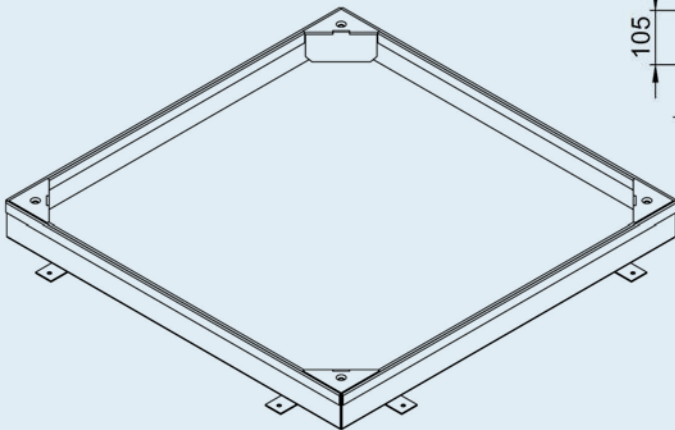
- Load rating: FACTA A – B
- Loading achieved without filling the cover
- Higher FACTA ratings manufactured on request
- Stainless steel or galvanised steel options
- Galvanised to BS EN ISO 1461
- Maximum stone or concrete depth: 85 mm
- Deeper recess available on request
- Unsecured (not-bolted) covers supplied as standard
- Optional secured (bolted down) covers are made to order
- Lifting points: triangular corner plates, with optional threaded inserts for use with our Cover Skates lifting equipment
- UKPN lifting keyhole available (certification pending)
- Easy slab or stone installation
- Standard sizes available from stock
- Bespoke shapes and sizes made to order on request



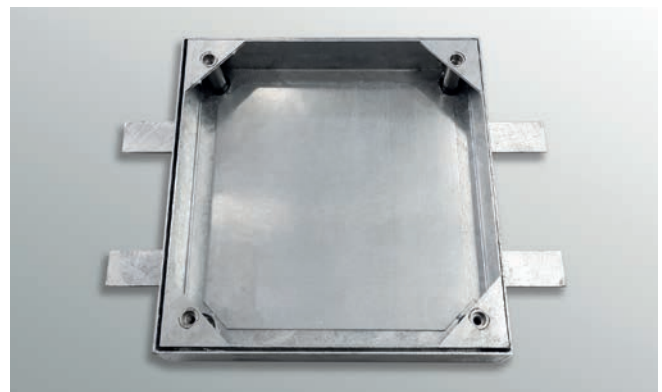
SAFE ACCESS ALL AREAS

LANDSCAPE 1000 Series FLOOR ACCESS COVERS

» FOR EXTERNAL APPLICATIONS



Unsecured, not bolted galvanised floor access cover



Secured, bolted galvanised floor access cover with fixing anchors



Secured, bolted galvanised floor access cover installed with matching stone module

» STOCK SIZES

Howe Green offers a range of galvanised steel, single floor access covers in standard sizes, directly from stock for fast on-site delivery. Our products are all Made in Britain.

Dimension X (mm)	Dimension Y (mm)
450	450
600	600
750	750
900	900

All sizes are clear opening.
All stock floor access covers are unsecured (not-bolted) design.

» MINIMUM & MAXIMUM SIZES

- Maximum clear opening: 900 x 900 mm
- Minimum clear opening: 450 x 450 mm
- Outer frame at maximum: 1100 x 1100 mm
- Bespoke shapes and sizes made to order on request

» SECURITY

- Unsecured, non-bolted floor access covers are supplied as standard
- Secured, bolted down floor access covers are made to order

» CONTACT US

Sales Enquiries

+44(0)1920 463 230 info@howegreen.co.uk www.howegreen.com

Marsh Lane, Ware, Hertfordshire, SG12 9QQ, UK



Follow us on:    



FS 712015 EMS 724804

Howe Green is part of the Access 360 division of Tyman UK and Ireland

SAFE ACCESS ALL AREAS