



# 7500 Series FLOOR ACCESS COVERS



For all bespoke requirements, our technical team will assist you to determine the correct specification and dimensions for your project.

**+44(0)1920 463 230**

[info@howegreen.co.uk](mailto:info@howegreen.co.uk)

## Non-fire rated, aluminium floor access covers for hard finishes

### » FEATURES & BENEFITS

- Covers can be fitted quickly and unobtrusively into all types of hard floor finishes: ceramic tiles, marble, terrazzo, resin or parquet
- Medium duty access cover, up to 5 tonne pneumatic tyre wheel load, FACTA B (cars and light delivery vehicles)
- Unique patented cover sections are tapered for easy removal, and frame sections give a good key to bedding mortar
- Triple sealed covers with socket head securing bolts as standard
- A top edge dirt seal helps to prevent dirt, grout or grinding waste penetrating the joint between the cover and the frame
- Lifting blocks are anchored to the inner frame
- Stainless steel securing bolts are stiletto heel proof
- Optional brass, stainless steel or coloured high impact PVC show edge on aluminium 7500 series is continuously secured; there are no fasteners to rust or break

### » 7500 SERIES ALUMINIUM FLOOR ACCESS COVERS

#### Size

- Precision made to measure using the Howe Green patented system to avoid distortion
- Manufactured in any size between the stated maximum and minimum dimensions
- Available as a single cover, ducts with branches or multi -part configuration
- Manufactured in the UK to BS EN ISO 9001

#### Weight

- A 7500 series floor access cover weighs approx. 155kg/m<sup>2</sup> when filled with concrete
- The weight of the access cover should be taken into account where ease of handling is an important consideration
- In all cases reference should be made to the Manual Handling Operations regulations 1992, which implement European Directive 90/269/EEC
- Howe Green's Cover Skate provides a safe and easy method of lifting and moving heavy floor access covers



**SAFE ACCESS ALL AREAS**

# 7500 Series ALUMINIUM SINGLE COVER

» FLOOR ACCESS COVERS FOR CARS AND LIGHT DELIVERY VEHICLES

## Typical floor finishes

- Ceramic tiles, marble, terrazzo, concrete, resin, wood and all hard floors

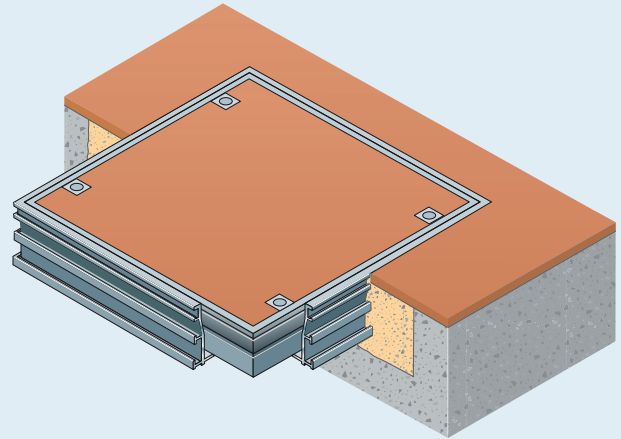
## Performance

- Medium duty up to 5 tonne pneumatic tyre wheel load, FACTA B (cars and light delivery vehicles)
- More information can be found at [www.howegreen.com](http://www.howegreen.com)

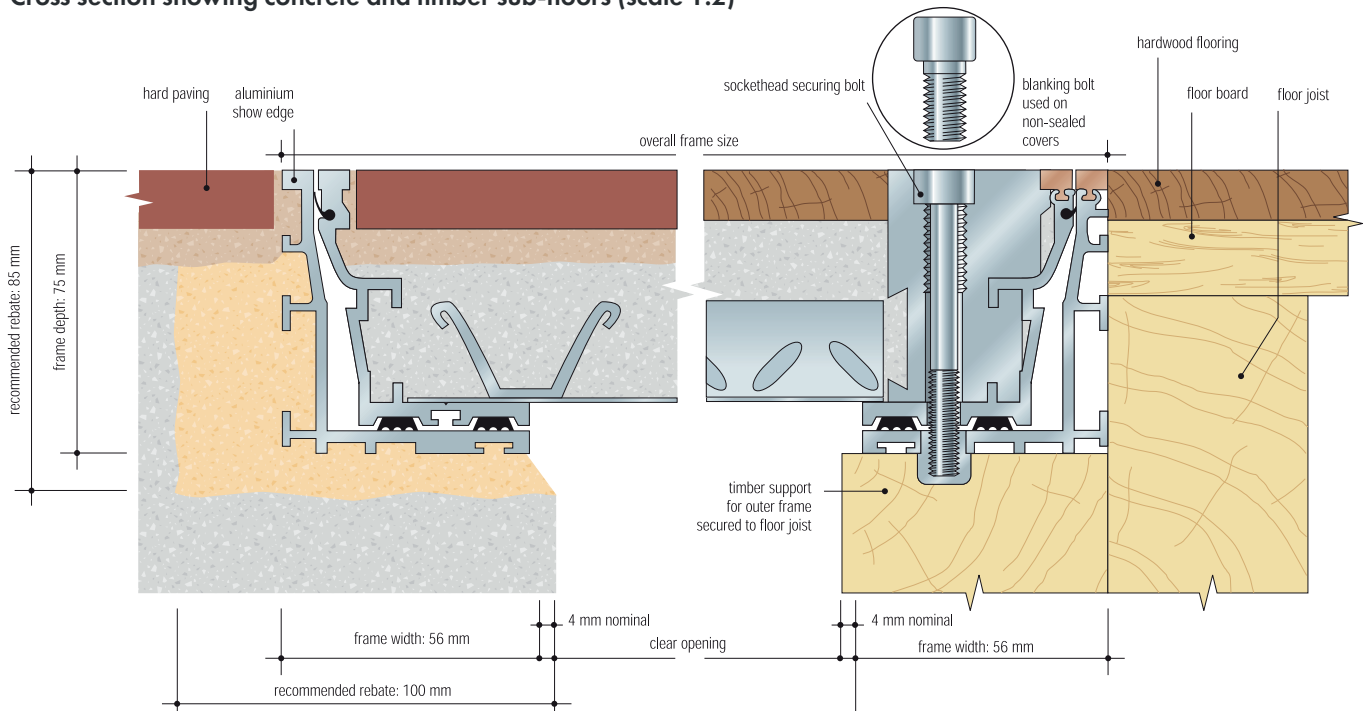
## Options

- Every cover is available with a choice of aluminium or brass show edge and matching lifting blocks
- Colouredge high impact PVC edges are available in a range of seven colours with aluminium lifting blocks
- Stainless steel or steel baseplate and reinforcement
- Unsealed with blanking bolts

See [www.howegreen.com](http://www.howegreen.com) for more information



## Cross section showing concrete and timber sub-floors (scale 1:2)



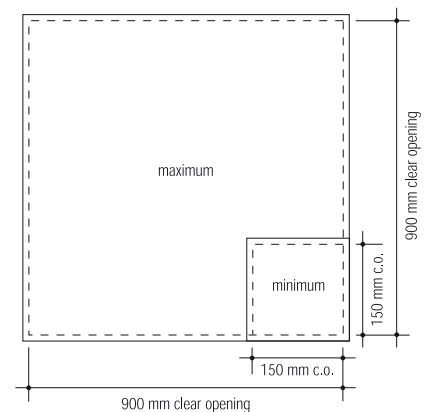
## Size

- Overall frame size = clear opening + 120 mm  
eg 600 x 900 mm clear opening = 720 x 1020 mm overall frame. Subject to correct infill/installation.

## Weight

- A 7500 series cover when filled with concrete weighs approx. 155kg/m<sup>2</sup>.

## Maximum / minimum sizes



# 7500 Series ALUMINIUM DUCT COVER

## » FLOOR ACCESS COVERS FOR CARS AND LIGHT DELIVERY VEHICLES

### Typical floor finishes

- Ceramic tiles, marble, terrazzo, concrete, resin, wood and all hard floors

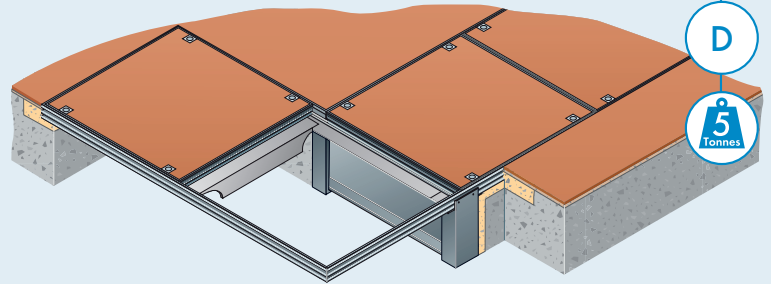
### Performance

- Medium duty up to 5 tonne pneumatic tyre wheel load, FACTA B (cars and light delivery vehicles)
- More information can be found at [www.howegreen.com](http://www.howegreen.com)

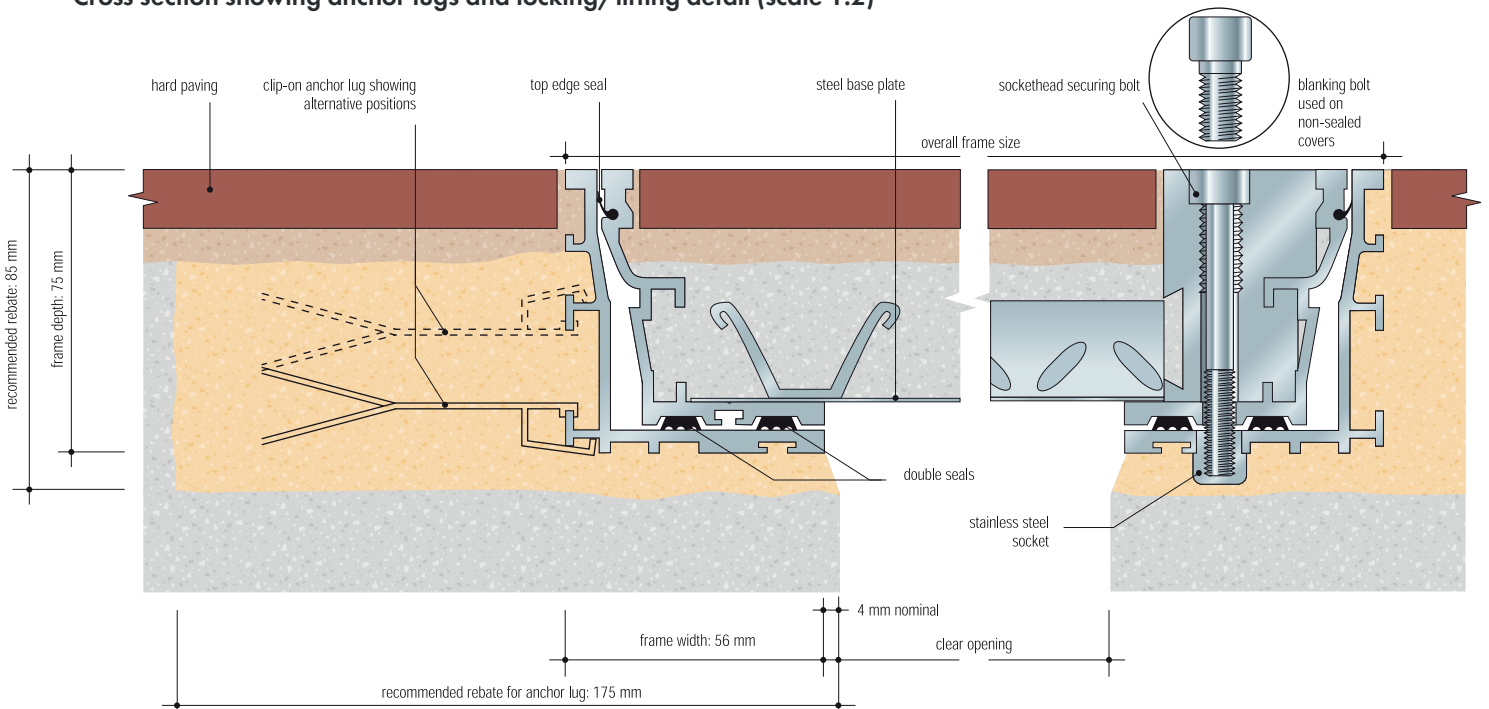
### Options

- Every cover is available with a choice of aluminium or brass show edge and matching lifting blocks
- Colouredge high impact PVC edges are available in a range of seven colours with aluminium lifting blocks
- Stainless steel or steel baseplate and reinforcement
- Unsealed with blanking bolts

See [www.howegreen.com](http://www.howegreen.com) for more information



### Cross section showing anchor lugs and locking/lifting detail (scale 1:2)



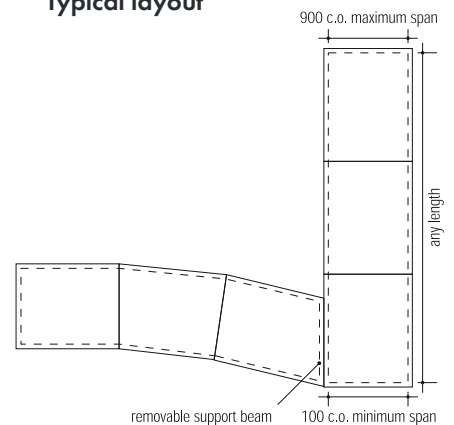
### Size

- Overall frame size = clear opening + 120 mm e.g. 550 mm clear opening = 670 mm overall frame width. Subject to correct infill/installation.

### Weight

- A 7500 series cover when filled with concrete weighs approx. 155kg/m<sup>2</sup>.

### Typical layout



# 7500 Series ALUMINIUM MULTIPART COVER

» FLOOR ACCESS COVERS FOR CARS AND LIGHT DELIVERY VEHICLES

## Typical floor finishes

- Ceramic tiles, marble, terrazzo, concrete, resin, wood and all hard floors

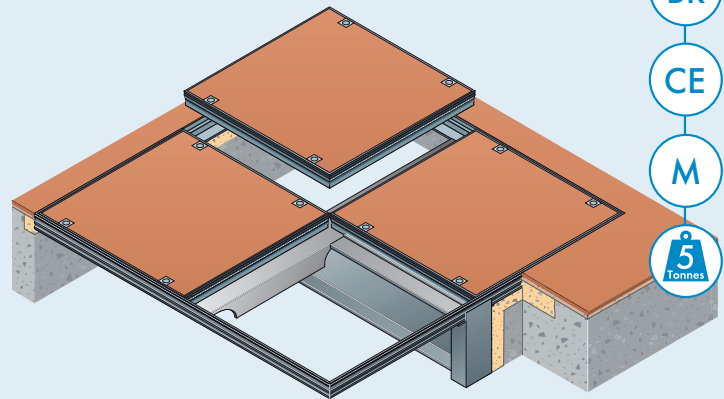
## Performance

- Medium duty up to 5 tonne pneumatic tyre wheel load, FACTA B (cars and light delivery vehicles)
- More information can be found at [www.howegreen.com](http://www.howegreen.com)

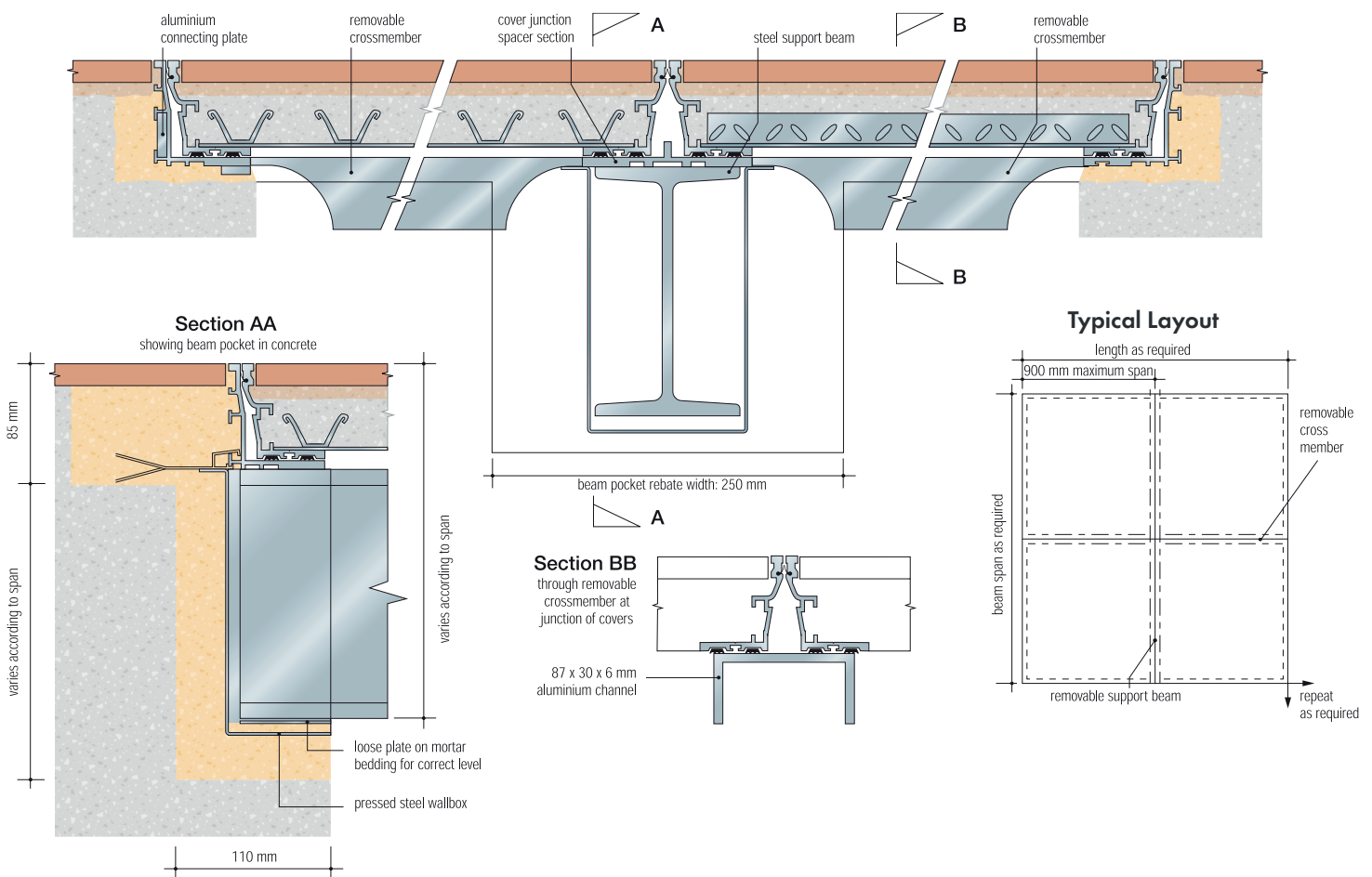
## Options

- Every cover is available with a choice of aluminium or brass show edge and matching lifting blocks
- Colouredge high impact PVC edges are available in a range of seven colours with aluminium lifting blocks
- Stainless steel or steel baseplate and reinforcement
- Unsealed with blanking bolts

See [www.howegreen.com](http://www.howegreen.com) for more information



## Cross section showing removable support beam and cross members (scale 1:5)



## » CONTACT US

### Sales Enquiries

+44(0)1920 463 230 [info@howegreen.co.uk](mailto:info@howegreen.co.uk) [www.howegreen.com](http://www.howegreen.com)

Marsh Lane, Ware, Hertfordshire, SG12 9QQ, UK

