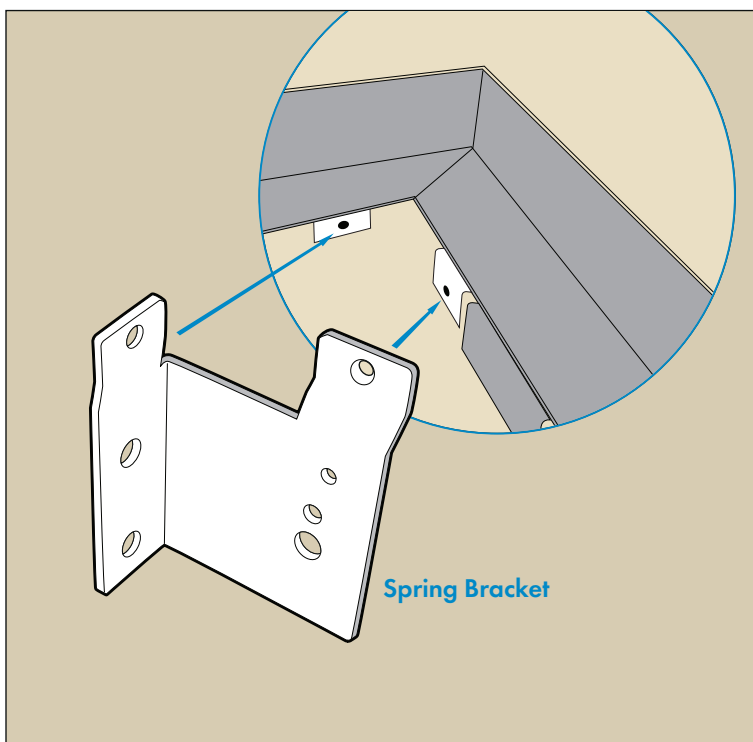
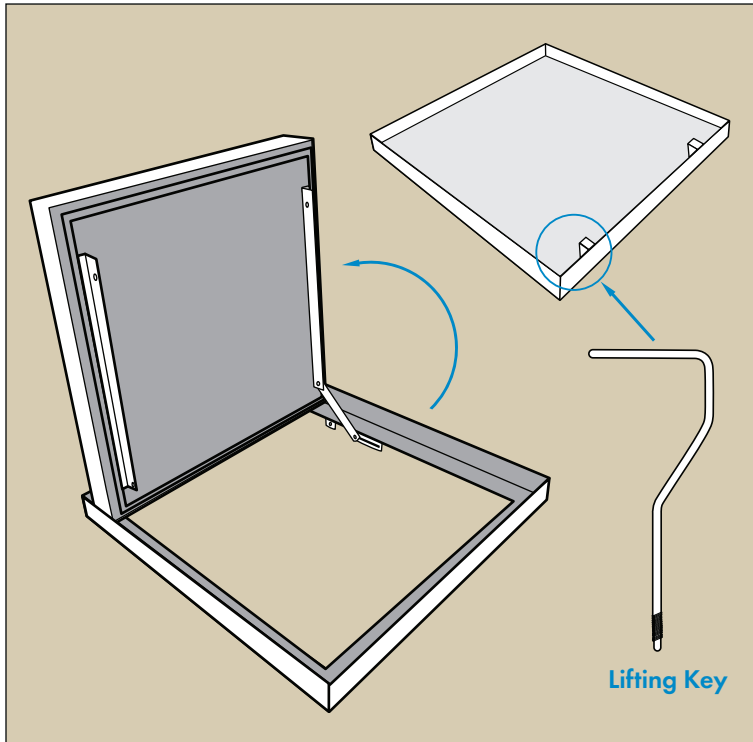




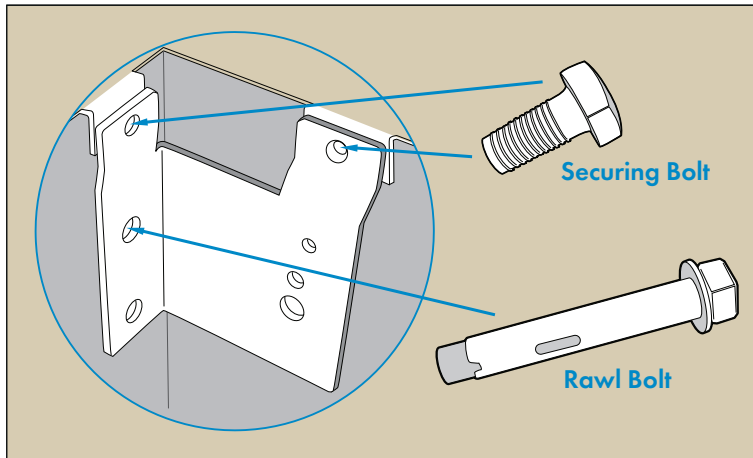
Installation of the Howe Green **HSE 75 Aluminium Series**





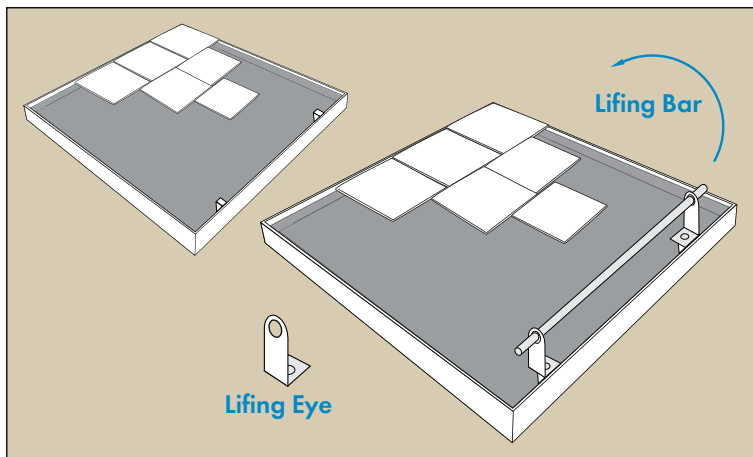
HOWEGREEN

FLOOR ACCESS



- 3 Position outer frame over pit, bedding on sand and cement, ensuring spring brackets are in contact with the vertical pit wall.

Drill holes in pit walls. Affix bracket against wall with **Rawl Bolt** and tighten **Securing Bolts**.

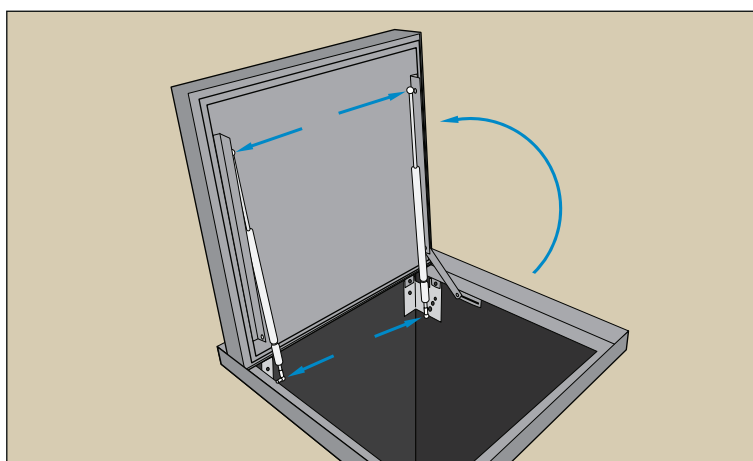


- 4 Close cover placing spacers between the cover and outer frame prior to filling and tiling.

Fill cover and tile surrounding area, ensuring that the infill has the equivalent strength of 40MPa concrete, when fully cured.

Fix **Lifting Eyes** to cover, using bolts supplied.

Open cover with **Lifting Bar**.



- 5 Open cover using **Lifting Bar**, attach **Gas Springs** as marked on spring.

CONTACT US

Innovation Drive, Wolverhampton, West Midlands, WV9 5GA, UK

Sales Enquiries: +44(0)1920 463 230

Email: info@howegreen.co.uk

www.howegreen.com

Howe Green is part of the Access 360 division of Tyman UK and Ireland.

SAFE ACCESS ALL AREAS



InstallGuide-HSE75-Alu-March23