

HG 100/200 CHANNEL DRAIN SOLUTIONS



For all bespoke requirements, our technical team will assist you to determine the correct specification and dimensions for your project.

+44(0)1920 463 230

info@howegreen.co.uk

Howe Green's Linear Drainage is ideal for a wide range of drainage applications including changing rooms, shower areas, spas, commercial kitchens, laboratories and veterinary surgeries

Suitable for a variety of floor types, HG100 and HG200 products are manufactured from corrosion-resistant and 100% recyclable stainless steel, ideal for applications within wet area environments that require wash-down or drainage.

Available in a range of 90° bends, T-Junctions and Stop Ends in various sizes as well as outlets and constant or variable inverts to ensure a complete drainage solution.

» FEATURES

- Suitable for all types of floor finishes, including ceramic tiles and resin with a load bearing capacity of up to 3 tonnes
- Normally fabricated from austenitic grade 304 stainless steel, however 316 grade is also available if required
- Standard 110mm diameter spigot outlet
- Choice of grating design
- Constant invert or variable inverts available
- Channels can be manufactured to suit specific layout requirements
- For wet area environments that require wash-down or drainage

» OVERVIEW

Howe Green Linear Drainage systems are available in modular form to suit most site situations including both level or sloping inverts. They are also available as a made to measure system to suit specific requirements.

Available in standard grade 304 austenitic stainless steel or, if required, grade 316. The systems offer a high-quality finish, discreet, easy to clean and hygienic solutions; and, as they are produced from stainless steel, they are also 100% recyclable and require little maintenance.

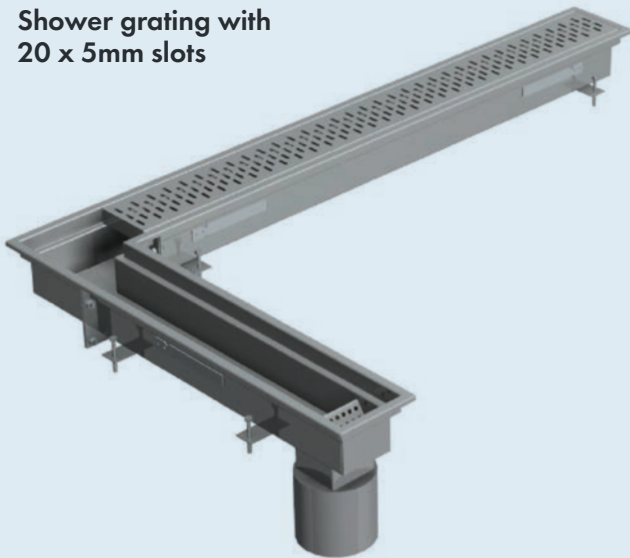
» HG100 CHANNEL DRAIN

The HG100 comes with Stainless Steel Gratings as standard, offering a practical and high-quality finish.

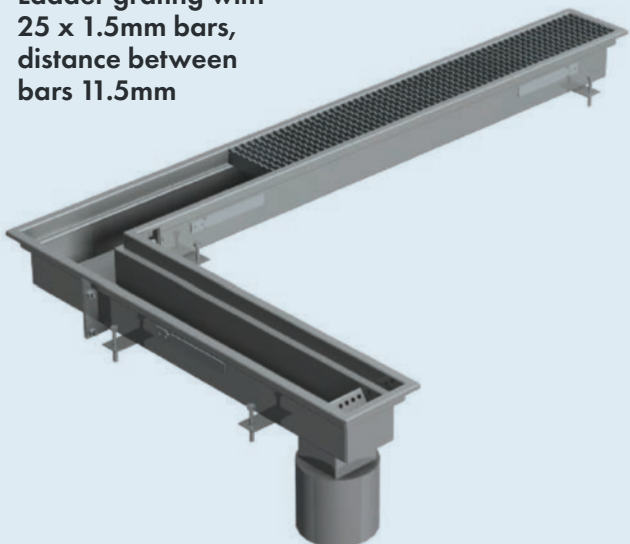
» HG200 SLOT DRAIN

The HG200 Slot Drain is an unobtrusive underfloor solution - popular for use in areas where aesthetics are a consideration.

**Shower grating with
20 x 5mm slots**



**Ladder grating with
25 x 1.5mm bars,
distance between
bars 11.5mm**



» TYPICAL FLOOR FINISHES

Ceramic floor tiles, resin finishes.



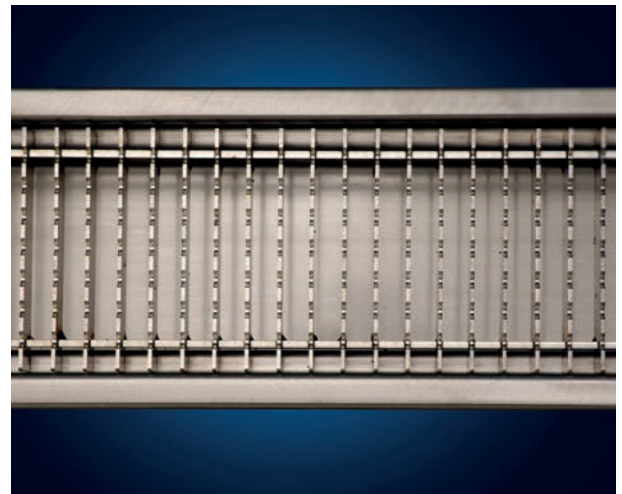
» PERFORMANCE

Up to 3 tonne pneumatic wheel load.



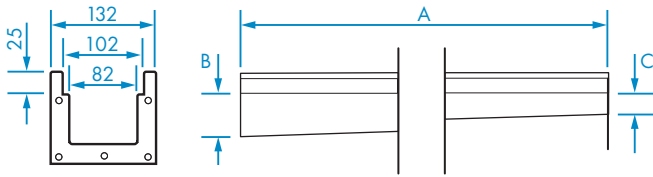
» OPTIONS

Heavy duty ladder grating, locked down gratings and pedestrian only shower grating.



► SLOPING CHANNELS

Channels with sloping invert



Description	Height B	Height C	Part No.
500mm (length A) Sloping Invert	35mm	25mm	SC500.25.35
	45mm	35mm	SC500.35.45
	55mm	45mm	SC500.45.55
	65mm	55mm	SC500.55.65
2000mm (length A) Sloping Invert	45mm	25mm	SC2000.25.45
	45mm	35mm	SC2000.35.45
	55mm	45mm	SC2000.45.55
	65mm	45mm	SC2000.45.65
	65mm	55mm	SC2000.55.65

Description	Height B	Height C	Part No.
1000mm (length A) Sloping Invert	25mm	35mm	SC1000.25.35
	35mm	45mm	SC1000.35.45
	45mm	55mm	SC1000.45.55
	55mm	65mm	SC1000.55.65
2475mm (length A) Sloping Invert	25mm	45mm	SC2475.25.45
	35mm	45mm	SC2475.35.45
	45mm	55mm	SC2475.45.55
	45mm	65mm	SC2475.45.65
	65mm	65mm	SC2475.55.65

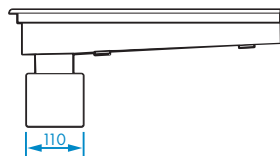
Junctions

90° Bend	A	Part No.
	35mm 45mm 55mm	SCB35 SCB45 SCB55

'T' Junction	A	Part No.
	35mm 45mm 55mm	SCB35 SCB45 SCB55

Stop End	A	Part No.
	25mm 35mm 45mm 55mm 65mm	SCB25 SCB35 SCB45 SCB55 SCB65

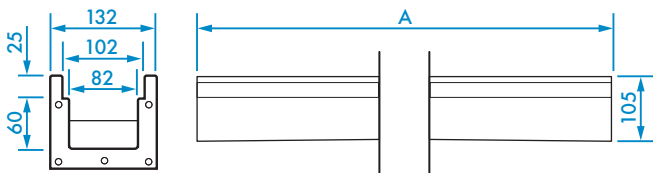
Outlets



Sloping invert outlet position, as shown at end of straight section, but can also be supplied as 200mm long straight in varying depths.

► LEVEL CHANNELS

Standard channel units for level invert



Description	Length	Part No.
Level Channel	500mm	LC500
	1000mm	LC1000
	2000mm	LC2000
	2475mm	LC2475

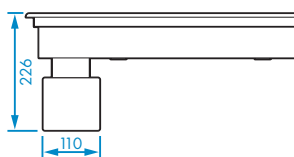
Junctions

Standard 90° Bend	Part No.
	LCB

Standard 'T' Junction	Part No.
	LCT

Standard Stop End	Part No.
	LCS

Outlets



Standard outlet position, as shown at end of straight section, but can also be supplied centrally on all standard straight sections.

► CONTACT US

Sales Enquiries

+44(0)1920 463 230 info@howegreen.co.uk www.hwegreen.com

Innovation Drive, Wolverhampton, West Midlands, WV9 5GA, UK

