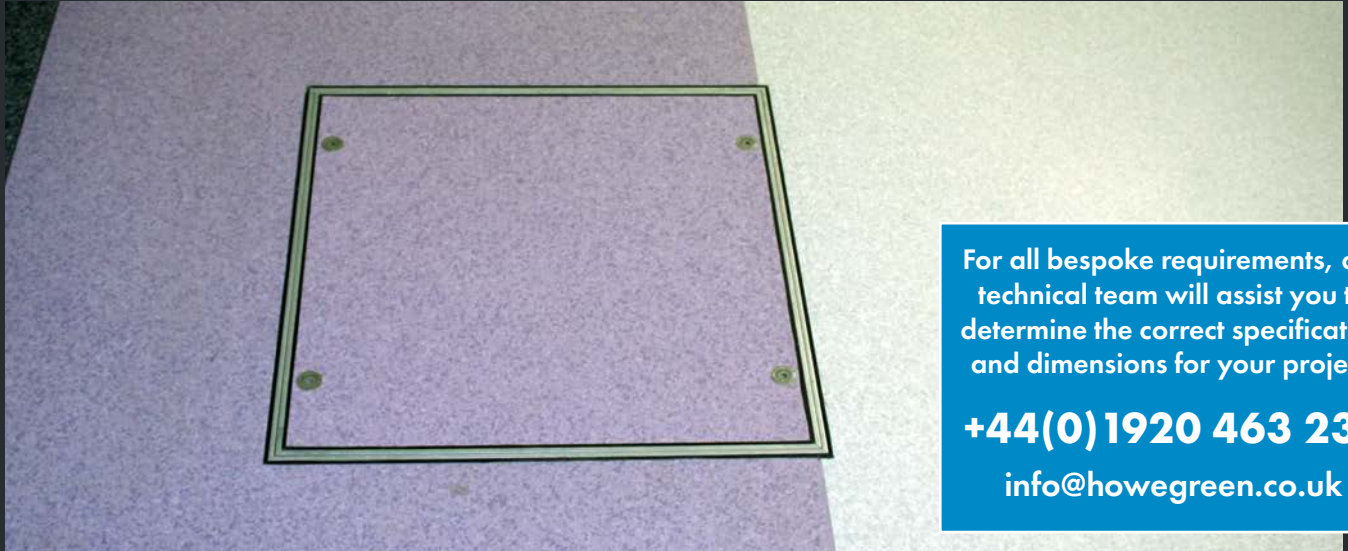


# VISEGE® Series FLOOR ACCESS COVERS



For all bespoke requirements, our technical team will assist you to determine the correct specification and dimensions for your project.

**+44(0)1920 463 230**

[info@howegreen.co.uk](mailto:info@howegreen.co.uk)

## Aluminium floor access covers for flexible floor finishes

### » FEATURES

- VISEGE® Series covers are suitable for all types of flexible sheet flooring, e.g. PVC or linoleum
- The PVC extrusion is locked to the frame sections, and bonded and welded to the cut edge of the sheet flooring, forming a flat, hygienic and permanent joint
- The aluminium and steel construction is tough, light and corrosion resistant
- Crimped corners allow the cover and frame to lie completely flat
- The unique Howe Green double seal construction forms the most positive seal to drainage, electrical and other ducts
- Any size is available for single covers or duct layouts
- Quality control to BS EN ISO 9001

### » VISEGE® SERIES FLOOR ACCESS COVERS

#### Size

- Made to measure using the Howe Green patented system
- Manufactured in any size between the stated maximum and minimum dimensions
- Any configuration of ducts and branches can be created

#### Weight

- The weight of the access cover should be taken into account where ease of handling is an important consideration
- In all cases reference should be made to the Manual Handling Operations regulations 1992, which implement European Directive 90/269/EEC
- If loads are excessive, consideration should be given to the use of hydraulic lifters or our **HSE 75 range**

Where large covers are necessary, for example over pits containing plant, the main covers can be fitted with small inset covers to allow easy access for routine maintenance. The main covers need then only be removed for major overhauls or plant replacement.

# VISEGE® Series ALUMINIUM SINGLE COVER

## ▶ FLOOR ACCESS COVERS FOR PEDESTRIAN TRAFFIC

### Typical floor finishes

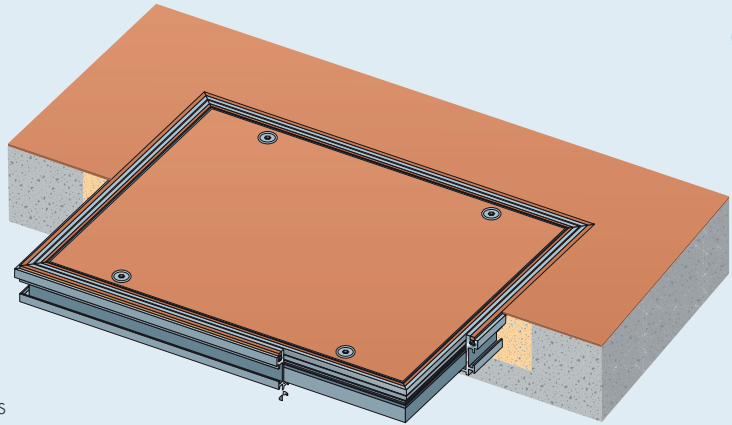
- Vinyl, linoleum, rubber, all flexible floor coverings and some carpets

### Performance

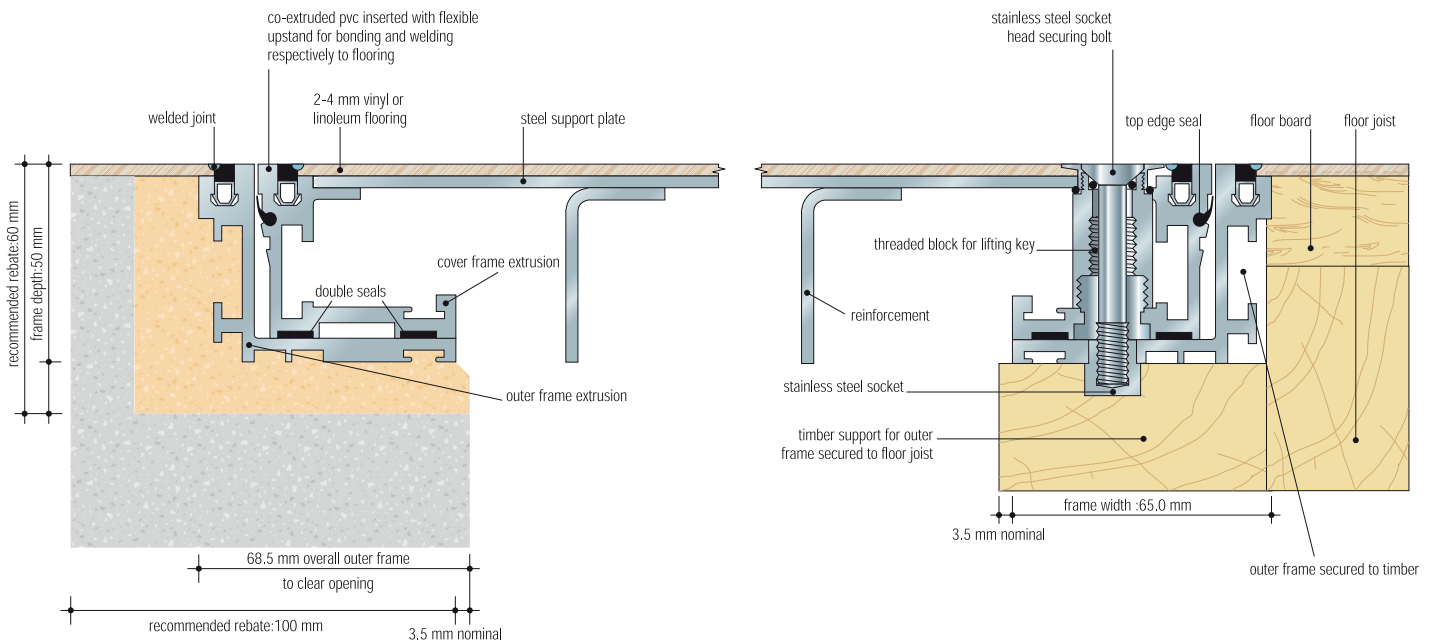
- Pedestrian traffic (including wheeled trolleys, sack trucks etc.) only

### Options

- Aluminium
- Duct/Multipart Covers
- Top edge dirt seal
- Weldable PVC securing edge
- Mechanically jointed corners
- Double sealed on seating and fitted with securing bolts



## Cross section showing concrete and timber sub-floors (scale 1:2)



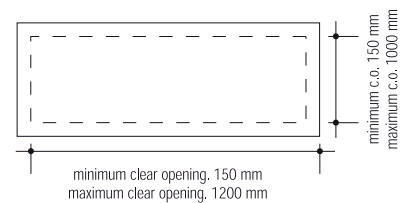
### Size

- Overall frame size = clear opening + 137 mm  
e.g 600 x 600 mm clear opening = 737 x 737mm overall frame width
- Subject to correct infill/installation (see separate guide).  
See also general notes on page 1

### Weight

A VISEGE® Series cover weighs approx. 55 kg/m<sup>2</sup>

### Maximum / minimum sizes



# VIEDGE® Series ALUMINIUM DUCT COVER



## ▶ FLOOR ACCESS COVERS FOR PEDESTRIAN TRAFFIC

### Typical floor finishes

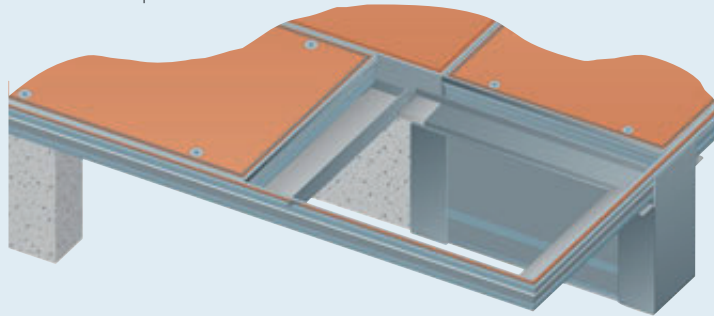
- Vinyl, linoleum, rubber, all flexible floor coverings and some carpets

### Performance

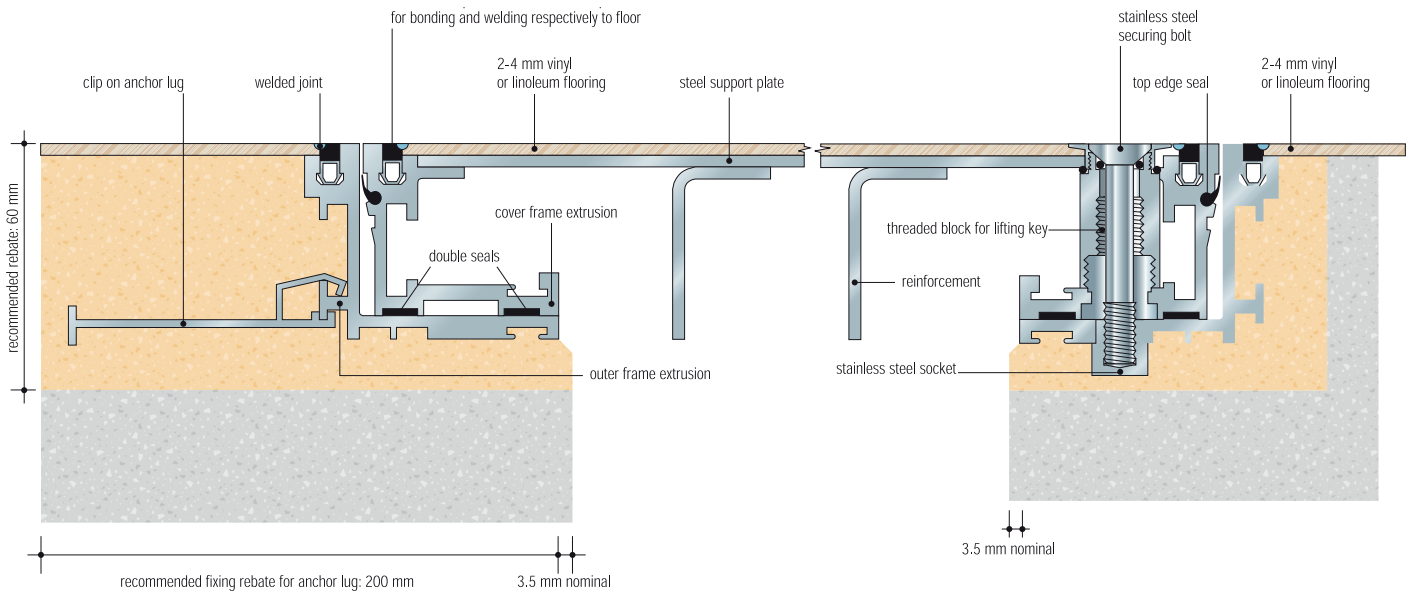
- Pedestrian traffic (including wheeled trolleys, sack trucks etc.) only
- Consult the Howe Green Technical Department for heavier loadings

### Options

- Aluminium
- Duct/Multipart Covers
- Top edge dirt seal
- Weldable PVC securing edge
- Mechanically jointed corners
- Double sealed on seating and fitted with securing bolts



### Cross section showing anchor lug and locking/lifting detail (scale 1:2)



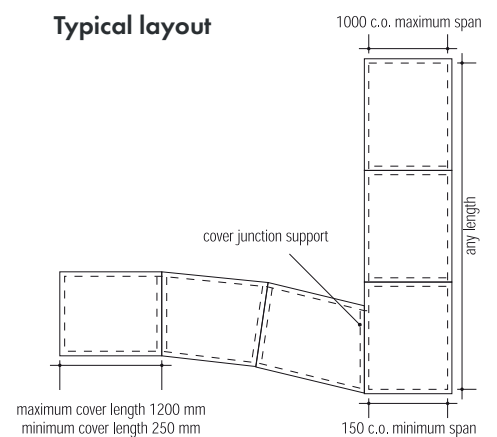
### Size

- Overall frame size = clear opening + 137 mm  
e.g 600 mm clear opening = 737 mm overall frame width
- Subject to correct infill/installation (see separate guide).  
See also general notes on page 1

### Weight

A VIEDGE® Series cover weighs approx. 55 kg/m<sup>2</sup>

### Typical layout



# VISEGE® Series ALUMINIUM MULTIPART COVER



## » FLOOR ACCESS COVERS FOR PEDESTRIAN TRAFFIC

### Typical floor finishes

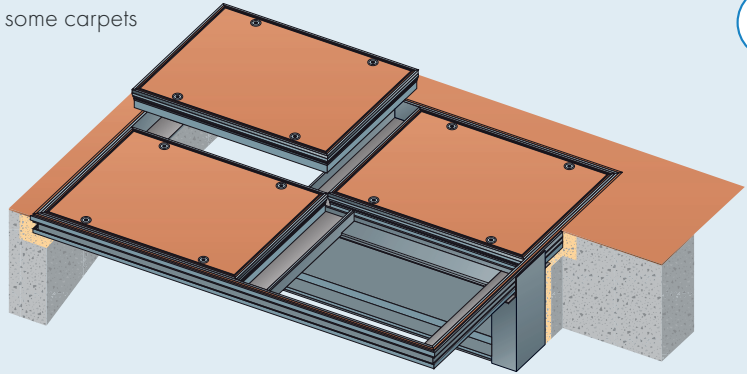
- Vinyl, linoleum, rubber, all flexible floor coverings and some carpets

### Performance

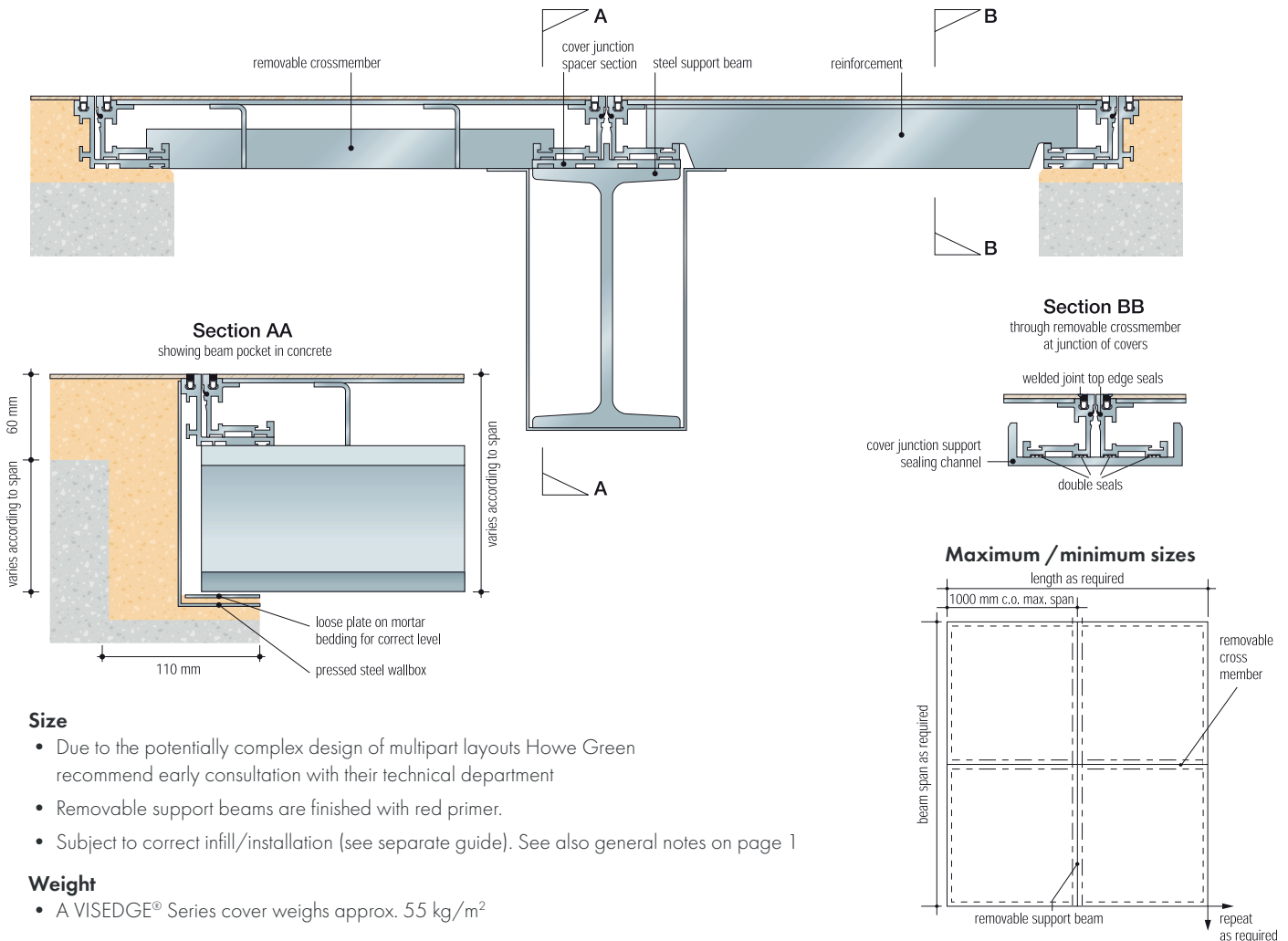
- Pedestrian traffic (including wheeled trolleys, sack trucks etc.) only
- Consult the Howe Green Technical Department for heavier loadings

### Options

- Aluminium
- Duct/Multipart Covers
- Top edge dirt seal
- Weldable PVC securing edge
- Mechanically jointed corners
- Double sealed on seating and fitted with securing bolts



### Cross section showing removable support beam and cross members (scale 1:2)



### Size

- Due to the potentially complex design of multipart layouts Howe Green recommend early consultation with their technical department
- Removable support beams are finished with red primer.
- Subject to correct infill/installation (see separate guide). See also general notes on page 1

### Weight

- A VISEGE® Series cover weighs approx. 55 kg/m<sup>2</sup>

## » CONTACT US

### Sales Enquiries

+44(0)1920 463 230 [info@howegreen.co.uk](mailto:info@howegreen.co.uk) [www.howegreen.com](http://www.howegreen.com)

Innovation drive, Wolverhampton, West Midlands, WV9 5GA, UK

