

HSE 75 Series ACCESS COVERS



Aluminium hinged floor access covers for hard finishes

» FEATURES

- Covers can be fitted quickly and unobtrusively into all types of hard floor finish: ceramic tiles, marble, terrazzo, resin or parquet
- Unique patented cover sections are tapered for easy removal, and frame sections give a good key to bedding mortar. Covers are precision-made to avoid distortion
- Top edge seal on aluminium covers helps prevent dirt, grout or grinding waste penetrating joint between cover and frame. Double seals are available on HSE 75 series
- Lifting blocks are anchored to the inner frame, stainless steel securing bolts are stiletto heel proof
- Double Seal
- Manufactured in the UK to BS EN ISO 9001

» HSE 75 SERIES SINGLE/DUCT COVERS

Size

- Made to measure using the Howe Green patented system
- Manufactured in any size between the stated maximum and minimum dimensions
- Any configuration of ducts and branches can be created

Weight

- The weight of the access cover should be taken into account where ease of handling is an important consideration
- In all cases reference should be made to the Manual Handling Operations regulations 1992, which implement European Directive 90/269/EEC

HSE 75 Series ALUMINIUM SINGLE/DUCT COVER

» HINGED FLOOR ACCESS COVERS FOR HARD FINISHES

Typical floor finishes

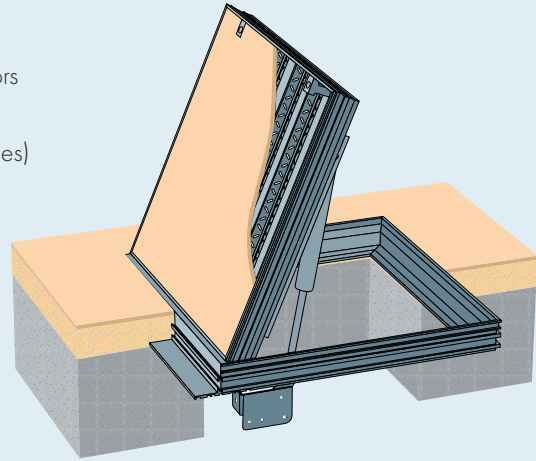
- Ceramic tiles, marble, terrazzo, concrete, resin, wood and all hard floors

Performance

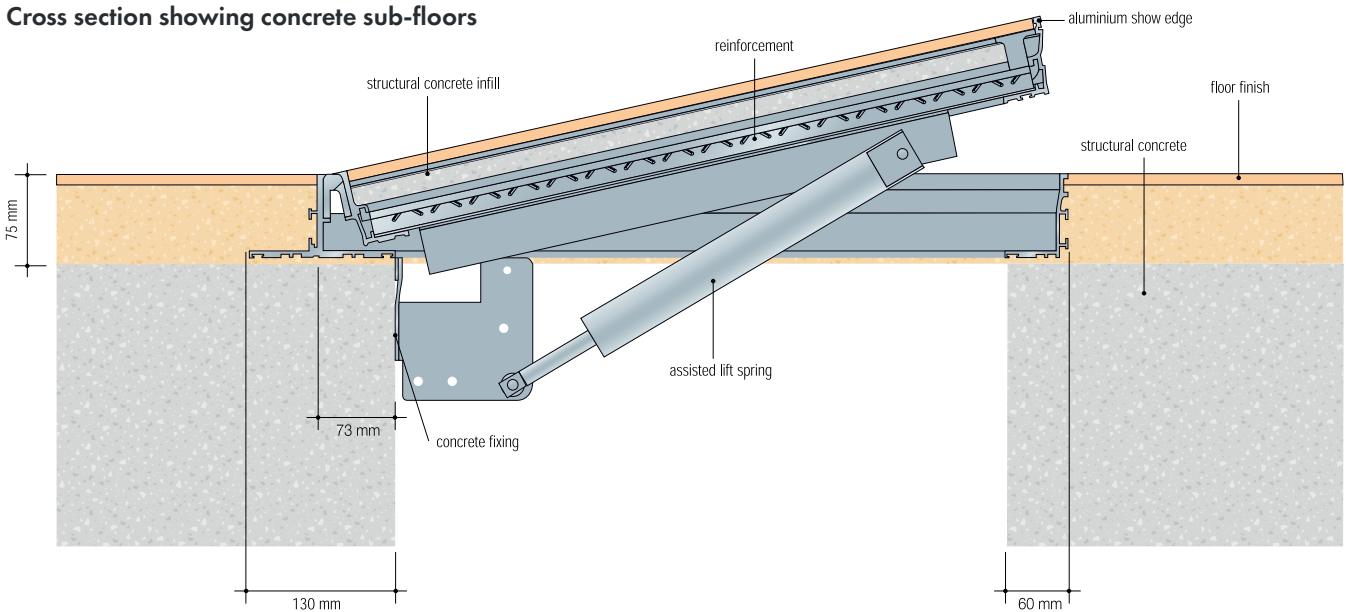
- Up to 5 tonne pneumatic tyre wheel load (cars and light delivery vehicles)
- More information can be found at www.howegreen.com

Options

- Aluminium Show edge
- Concealed multilink hinges
- Gas springs
- Stainless steel or steel baseplate and reinforcement
- Reinforcement, double seal
- Top and underside release
- Top release only



Cross section showing concrete sub-floors



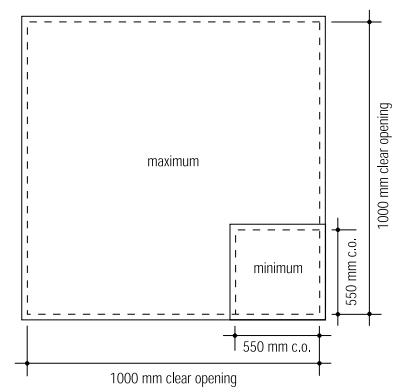
Size

- Overall top of frame size (when looking at drawing above) = clear opening + 133 mm
- 2 sides not shown above are 60 mm = clear opening overall dimension is that plane is + 120 mm e.g 600 x 600 mm clear opening = 733 x 720 mm overall top of frame
- Subject to correct infill/installation (see separate guide). See also general notes on the other side

Weight

- An HSE 75 series access hatch when filled and installed correctly will require a maximum force of 20 kg to open

Maximum/minimum sizes



» CONTACT US

Sales Enquiries

+44(0)1920 463 230 info@howegreen.co.uk www.howegreen.com

Innovation drive, Wolverhampton, West Midlands, WV9 5GA, UK

