



7500 FR Series FLOOR ACCESS COVERS



For all bespoke requirements, our technical team will assist you to determine the correct specification and dimensions for your project.

+44(0)1920 463 230

info@howegreen.co.uk

Fire rated, stainless steel floor access covers for hard finishes, providing easy access to underfloor building services

» FEATURES & BENEFITS

- Independently fire rated to BS 476 Part 22 *certified for up to 2 hours on integrity and 1 hour on insulation
- Covers can be fitted quickly and unobtrusively into all types of hard floor finish: ceramic tiles, marble, terrazzo, resin or parquet
- Medium duty access cover, up to 5 tonne pneumatic tyre wheel load, FACTA B (cars and light delivery vehicles)
- Cover sections are tapered for easy removal, and are precision-made to avoid distortion
- Covers are double sealed providing the highest levels of hygiene and security
- Lifting blocks are anchored to the inner frame
- Stainless steel securing bolts are stiletto heel proof
- Suitable for supermarkets, shopping centres, sport and athletic centres, or heavily trafficked paved areas like railway stations or airports
- Where large covers are necessary over pits containing plant, the main covers can be fitted with small inset covers to allow easy access for routine maintenance

» 7500 FR SERIES STAINLESS STEEL FLOOR ACCESS COVERS

Size

- Precision-made to measure using the Howe Green patented system to avoid distortion
- Manufactured in any size between the stated maximum and minimum dimensions
- Available as a single cover, ducts with branches or multi -part configuration
- Manufactured in the UK to BS EN ISO 9001

Weight

- A 7500 FR Series floor access cover weighs approx. 155kg/m² when filled with concrete
- The weight of the access cover should be taken into account where ease of handling is an important consideration
- In all cases reference should be made to the Manual Handling Operations regulations 1992, which implement European Directive 90/269/EEC
- Howe Green's Cover Skate provides a safe and easy method of lifting and moving heavy floor access covers



SAFE ACCESS ALL AREAS

7500 FR Series STAINLESS STEEL SINGLE COVER

» FLOOR ACCESS COVERS FOR CARS AND LIGHT DELIVERY VEHICLES

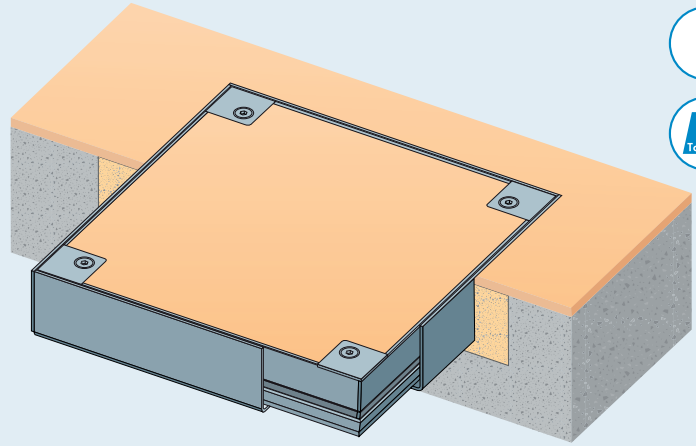
Typical floor finishes

- Ceramic tiles, marble, terrazzo, concrete, resin, wood and all hard floors

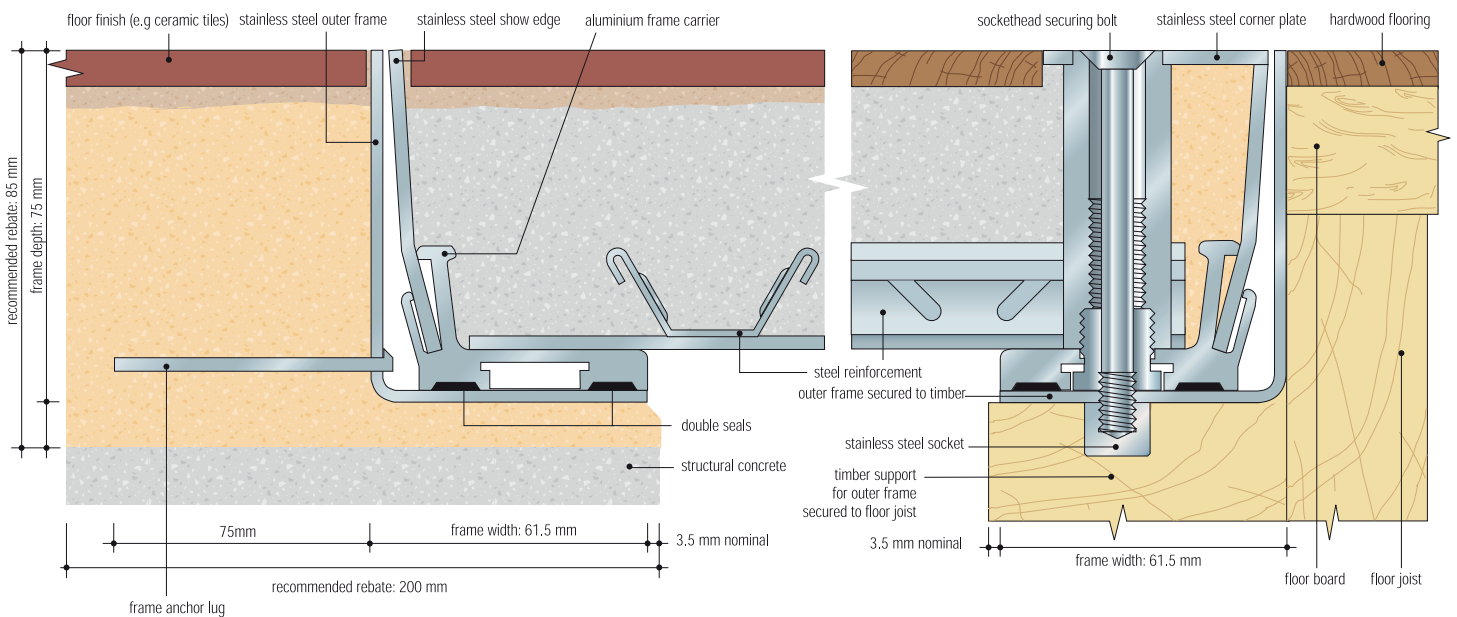
Performance

- Medium duty up to 5 tonne pneumatic tyre wheel load, FACTA B (cars and light delivery vehicles)

More information can be found at www.howegreen.com



Cross section showing concrete and timber sub-floors (scale 1:2)



Size

- Overall frame size = clear opening + 130 mm
e.g. 600 x 900 mm clear opening = 730 x 1030 mm overall frame.
Subject to correct infill/installation (see separate guide).

See also general notes on page 1

Weight

- A 7500 FR Series cover when filled with concrete weighs approx. 155kg/m²

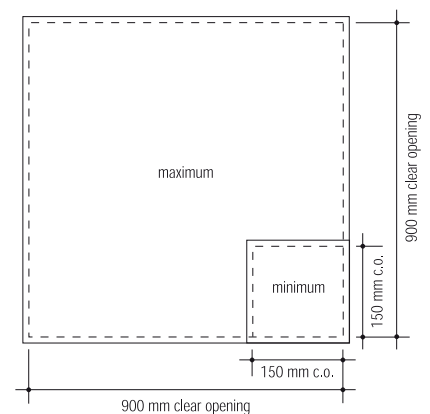
See also general notes on page 1

Fire Rating

- Max size 1030mm X 1030mm = 900mm X 900mm clear opening

Fire rated to BS 476 PART 22, certified for 2 HOURS on integrity and 1 HOUR on insulation, when filled with C40 concrete in a deadload environment. With stone, tile or other non-combustible surface finish: fire rated for 2 hours on integrity only

Maximum / minimum sizes



7500 FR Series STAINLESS STEEL DUCT COVER

» FLOOR ACCESS COVERS FOR CARS AND LIGHT DELIVERY VEHICLES

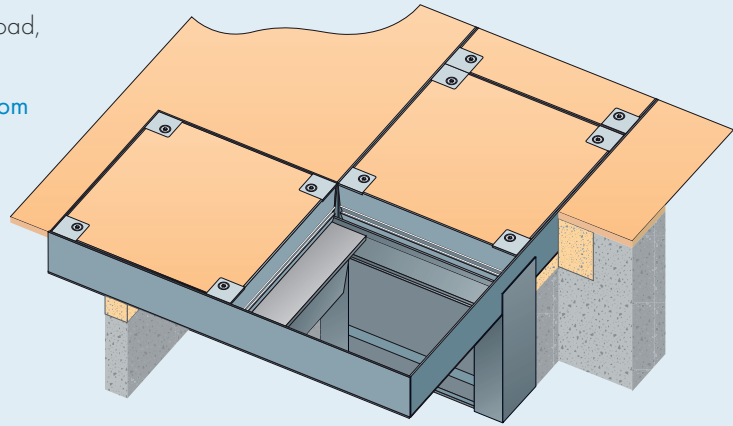
Typical floor finishes

- Ceramic tiles, marble, terrazzo, concrete, resin, wood and all hard floors

Performance

- Medium duty up to 5 tonne pneumatic tyre wheel load, FACTA B (cars and light delivery vehicles)

More information can be found at www.howegreen.com



SS

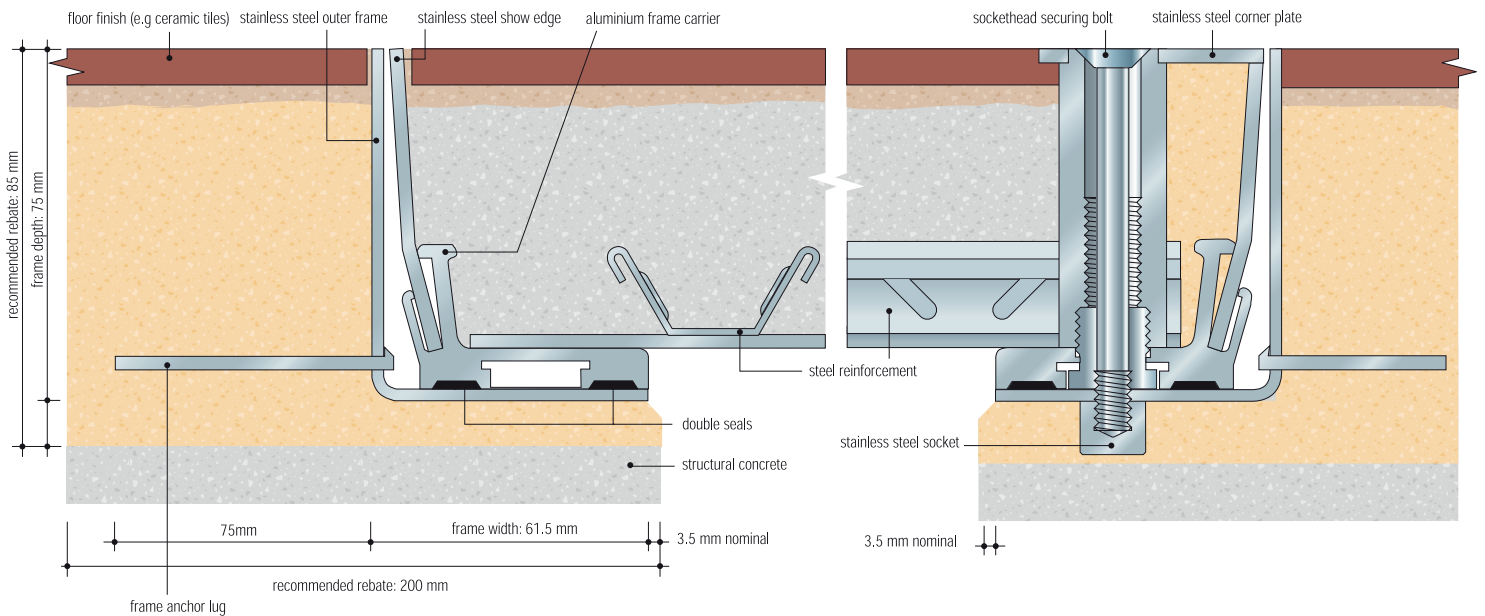
FR

FACTA
B

D

5
Tonnes

Cross section showing anchor lugs and locking/lifting detail (scale 1:2)



Size

- Overall frame size = clear opening + 130 mm
e.g. 550 mm clear opening = 680 mm overall frame width.
Subject to correct infill/installation (see separate guide).
See also general notes on page 1

Weight

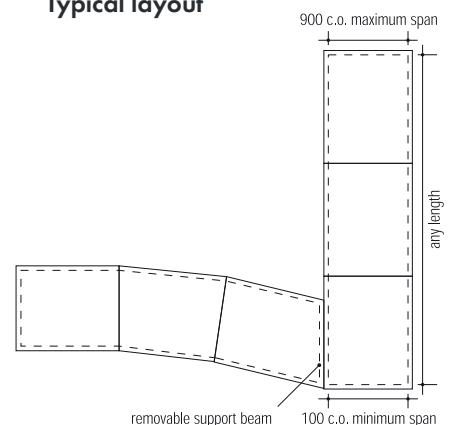
- A 7500 FR Series cover when filled with concrete weighs approx. 155kg/m²
See also general notes on page 1

Fire Rating

- Maximum width 1030 mm, clear opening 900 mm with an unlimited duct run length and branches

Fire rated to BS 476 PART 22, certified for 2 HOURS on integrity and 1 HOUR on insulation, when filled with C40 concrete in a deadload environment. With stone, tile or other non-combustible surface finish: fire rated for 2 hours on integrity only

Typical layout



7500 FR Series STAINLESS STEEL MULTIPART COVER

» FLOOR ACCESS COVERS FOR CARS AND LIGHT DELIVERY VEHICLES

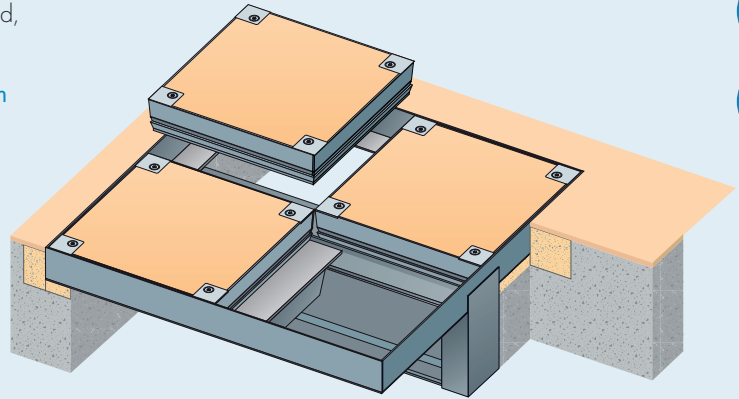
Typical floor finishes

- Ceramic tiles, marble, terrazzo, concrete, resin, wood and all hard floors

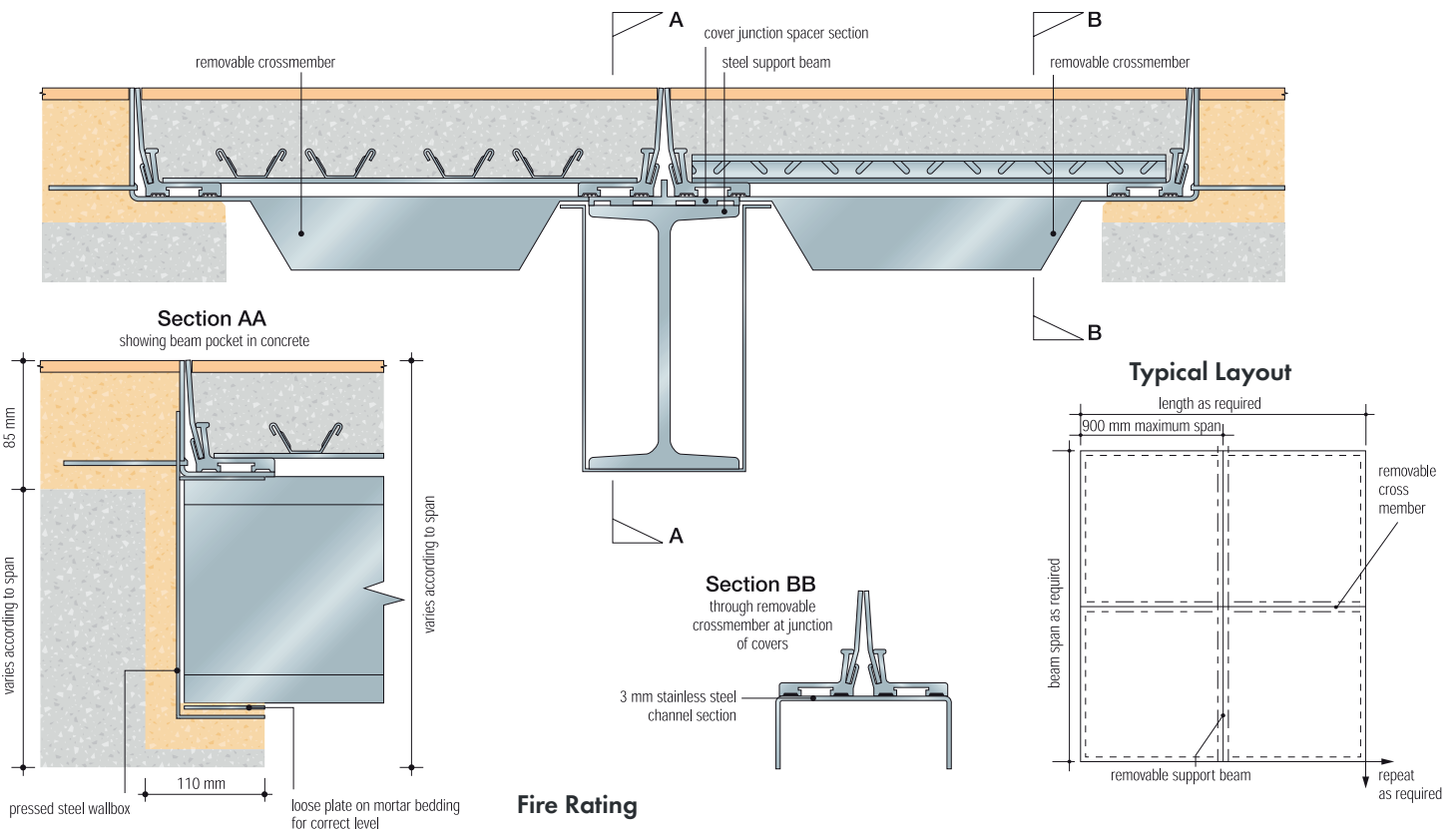
Performance

- Medium duty up to 5 tonne pneumatic tyre wheel load, FACTA B (cars and light delivery vehicles)

More information can be found at www.howegreen.com



Cross section showing removable support beam and cross members (scale 1:5)



Fire Rating

- Size of multipart maximum 4m X 3m overall size

Fire rated to BS 476 PART 22, certified for 2 HOURS on integrity and 1 HOUR on insulation, when filled with C40 concrete in a deadload environment. With stone, tile or other non-combustible surface finish: fire rated for 2 hours on integrity only

Weight

- A 7500 series cover when filled with concrete weighs approx. 155kg/m²

» CONTACT US

Sales Enquiries

+44(0)1920 463 230 info@howegreen.co.uk www.howegreen.com

Innovation drive, Wolverhampton, West Midlands, WV9 5GA, UK

